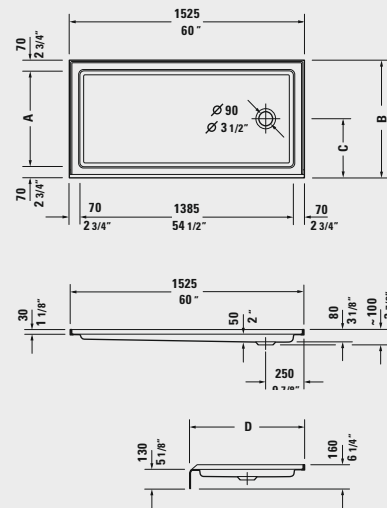
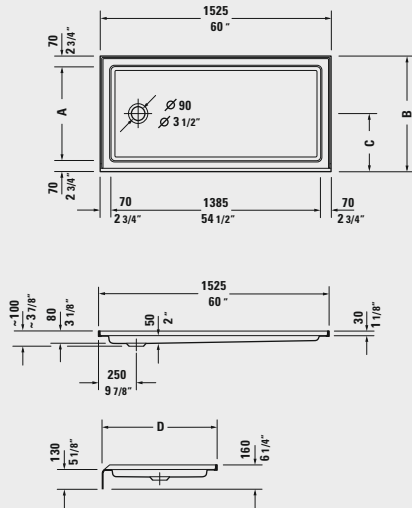


Architec Shower trays



DURAVIT NYC
 105 Madison Avenue
 New York, NY 10016
 Toll Free 888-DURAVIT
 Phone 212-686-0033
 Fax 212-686-8033
 nyc@us.duravit.com
 www.duravit.nyc

DURAVIT USA, Inc.
 2205 Northmont Pkwy., Ste. 200
 Duluth, GA 30096
 Toll Free 888-DURAVIT
 Phone 770-931-3575
 Fax 770-931-8454
 info@us.duravit.com
 www.duravit.us



Features & Benefits:

- In Stock
- Modern approach to the standard alcove shower trays
- An ideal option for small spaces
- Easy cleaning and sleek appearance
- Smooth reinforced front apron
- Integrated tile flange
- Fully reinforced plywood bottom
- Composed of durable, high performance sanitary acrylic
- Adjustable feet provide leveling support system
- 60" x 30" / 60" x 32"
- Optional left - or right - hand drain configuration

	A	B	C	D
720141000000090	622	762	381	762
720141000000090	24 1/2"	30"	15"	30"
720142000000090	622	762	381"	762
720142000000090	24 1/2"	30"	15"	30"
720143000000090	673	813	406	813
720143000000090	26 1/2"	32"	16"	32"
720144000000090	673	813	406	813
720144000000090	26 1/2"	32"	16"	32"

